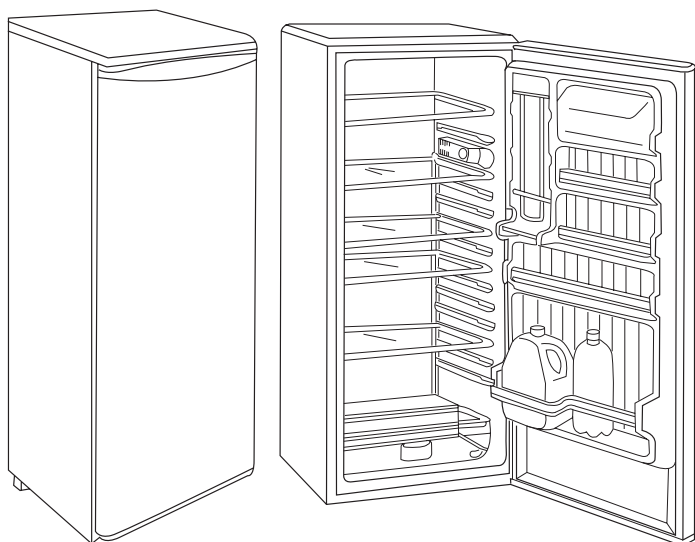




Owner's Use and Care Guide  
 Guide d'utiliser et soin de Propriétaire  
 Manual de Instrucciones para el Uso de su  
 Unidad

Model • Modèle • Modelo  
 DAR1102WE, DAR1102BSL



**CAUTION:**

Read and follow all safety rules and operating instructions before first use of this product.

**PRECAUTION:**

Veillez lire attentivement les consignes de sécurité et les instructions d'utilisation avant l'utilisation initiale de ce produit.

**PRECAUCION:**

Lea y observe todas las reglas de seguridad y las instrucciones de operación antes de usar este producto por primera vez.

**ALL REFRIGERATOR  
 Owner's Use and Care Guide**

..... 1 - 4

- Safety Instructions
- Installation Instructions
- Features
- Operating Instructions
- Care and Maintenance
- Troubleshooting
- Warranty

**TOUT RÉFRIGÉRATEUR  
 Guide d'utiliser et soin de Propriétaire**

..... 5 - 8

- Consignes de sécurité
- Consignes de Installation
- Caractéristiques
- Consignes de Fonctionnement
- Soins et entretien
- Dépannage
- Garantie

**TODA REFRIGERADORA  
 Guía a utilizar y a cuidar del Proprietario**

..... 9 - 12

- Instrucciones de Seguridad
- Instrucciones d'instalación
- Características
- Instrucciones Operadoras
- Cuidado y Mantenimiento
- Diagnostico de Problemas
- Garantía

---

# SAFETY INSTRUCTIONS

---

## GROUNDING INSTRUCTIONS

This appliance must be grounded. In the event of an electrical short circuit, grounding reduces the risk of electrical shock by providing an escape wire for the electrical current.

This appliance is equipped with a cord having a grounding wire with a grounding plug. The plug must be plugged into an outlet that is properly installed and grounded.

**WARNING** - Improper use of the grounding plug can result in a risk of electric shock. Consult a qualified electrician or serviceman if the grounding instructions are not completely understood, or if doubt exists as to whether the appliance is properly grounded.

## DO NOT USE AN EXTENSION CORD

Use an exclusive wall outlet. Do not connect your freezer to extension cords or together with any other appliance in the same wall outlet. Do not splice the cord.

**IMPORTANT WARNING:** An empty freezer is a very dangerous attraction to children. Remove either the gasket, latches, lids or doors from unused appliances, or take some other action that will guarantee it harmless.

**DANGER: Risk of Child Entrapment!** Before you throw away your old refrigerator/freezer:

- Take off the doors.
- Leave the shelves in place so that children may not easily climb inside.

**DON'T WAIT! DO IT NOW!**

---

# INSTALLATION INSTRUCTIONS

---

Remove exterior and interior packings, wipe the outside thoroughly with a soft dry cloth and the inside with a wet, lukewarm cloth. Avoid placing the unit in a narrow recess or near any heat source, direct sunlight, or moisture. Let air circulate freely around the unit. Keep the rear of the refrigerator 5 inches away from the wall.

## Location

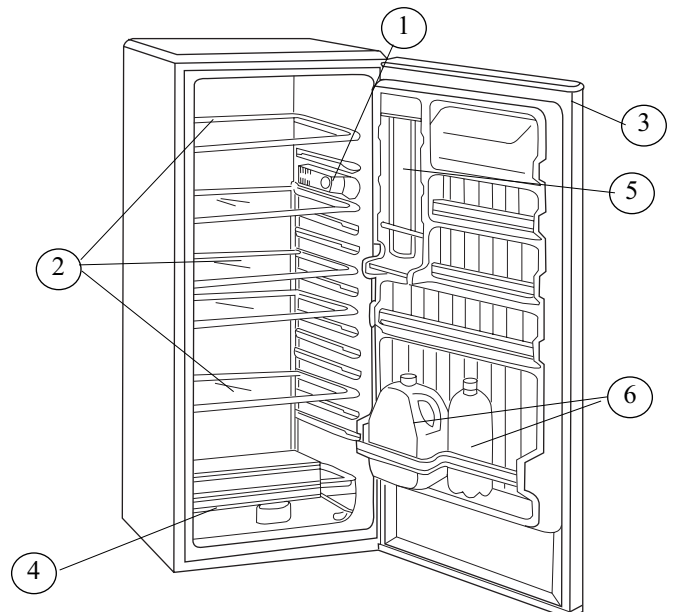
1) Select a place with a strong, level floor.

- 2) Allow 5 inches of space between the back of the refrigerator and any adjacent wall.
  - 3) Avoid direct sunlight and heat. Direct sunlight may affect the acrylic coating. Heat sources nearby will cause higher electricity consumption.
  - 4) Avoid very moist places. Too much moisture in the air will cause frost to form very quickly on the evaporator, and your refrigerator will have to be defrosted more frequently.
- 

# FEATURES

---

- 1) **THERMOSTAT DIAL**
- 2) **TEMPERED GLASS SHELVES**
- 3) **MAGNETIC GASKET:** Tight fitting door seal keeps all the cooling power locked inside. No hooks or latches.
- 4) **CRISPER WITH TEMPERED GLASS SHELF**
- 5) **CANSTOR™ DOOR LINER:** Holds 355mL (12 oz) cans of pop, juice, or beer.
- 6) **2 LITRE AND GALLON BOTTLE STORAGE**



# OPERATING INSTRUCTIONS

To avoid vibration, the unit must be set level. This is accomplished by adjusting the (2) front leveling legs located under the refrigerator. To start the refrigerator, turn the temperature control to the position corresponding to the desired cooling. We recommend starting the temperature at 4 (middle setting) and adjusting if necessary.

**OFF = No Cooling**                      **4 = Medium Cooling**  
**1 = Minimum Cooling**                **MAX = Maximum Cooling**

The temperature will vary depending on the quantity of the food stored and on the frequency with which the door is opened.

## DEFROSTING INSTRUCTIONS:

This refrigerator is inclusive of a cycle defrost system. The refrigerator has a cold plate located in behind the back wall of the refrigerator cabinet. Ice build-up on the back wall during compressor operation is normal. When the compressor has cycled off, accumulated ice will defrost automatically. Defrost water will collect inside the drain trough, pass through the drain outlet located at the bottom of the cabinet, and funnel into a drain pan situated above the compressor. The water will then evaporate from the heat of the compressor.

**REMINDER:** Keep the drain outlet opening clear of any food particles or other impediments. This will ensure the water can funnel to the drain pan without obstruction. Failure to keep this drain clean may result in water overflowing the trough, causing water to accumulate at the bottom of the refrigerator, eventually leaking onto your floor. Please wipe this trough and drain outlet with a soft cloth as required.

## DOOR REVERSAL INSTRUCTIONS:

**CAUTION:** To avoid personal injury to yourself and/or property, we recommend someone assist you during the door reversal process.

- 1) To access the lower hinge assembly, tilt back the refrigerator or lay the unit on its back (Fig. A).
- 2) Remove both leveling legs located at the front of the unit.
- 3) Remove the screws holding the lower hinge assembly to the unit.
- 4) Remove the main door assembly from the refrigerator (*lift open door slightly and pull downward*).
- 5) Using a flat head screwdriver, remove the main door top hinge pin (Fig. B).
- 6) Re-install the main door top hinge pin on the opposite side of the unit.
- 7a) Remove the door plug and door bushing located on the top of the main door.
- 7b) Interchange their positions (*eg. door plug right side, door bushing left side*).
- 8) Re-install main door assembly on the refrigerator.
- 9) Remove door bushing (*bottom door*) and install on opposite side.
- 10) Re-install the lower hinge assembly on the opposite side.
- 11) Make sure the door assembly is properly aligned on the unit before tightening lower hinge screws.
- 12) Re-install both leveling legs.

The process is now complete.

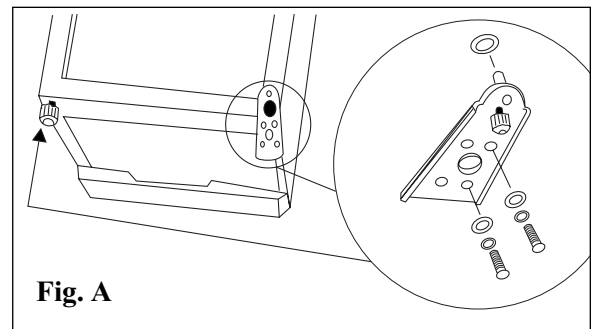


Fig. A

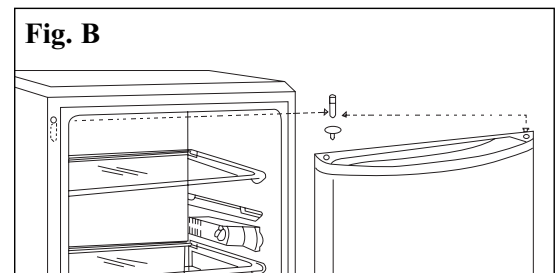


Fig. B

# CARE AND MAINTENANCE

## Cleaning

To clean the inside, use a soft cloth and a mixture of one tablespoon of baking soda to one quart of water. Other cleaning solutions options are a mild soap suds solution, or mild detergent. Wash glass shelves in a mild detergent solution, then dry and wipe with a soft cloth. Clean the outside with a soft damp cloth and some mild detergent or appliance cleaner.

## Vacation Time

For short vacation periods, leave the control knob at its normal setting. During longer absences;

- (a) remove all foods.
- (b) disconnect power cord from electrical outlet.
- (c) clean the refrigerator thoroughly, including drip tray (defrost pan), located on the bottom of the unit.
- (d) leave door open to avoid possible formations of condensation, mold or odors.

## Power Failure

Most power failures are corrected within an hour or two and will not affect your refrigerator temperatures. However, you should minimize the number of door openings while the power is off. During power failures of longer duration, take steps to protect your

food by placing dry ice on top of packages.

## If You Move

Remove or securely fasten down all loose items inside the unit. To avoid damaging the leveling legs, turn them all the way into the base.

## Some Important Rules for the Correct Use of the Refrigerator

- Never place hot foods in the refrigerator.
- Never place spoiled foods in the refrigerator.
- Don't overload the refrigerator.
- Don't open the door unless necessary.
- Should the refrigerator be stored without use for long periods, it is suggested, after a careful cleaning, to leave the door ajar to allow the air to circulate inside the unit in order to avoid possible formations of condensation, mold or odors.

# TROUBLESHOOTING

Occasionally, a problem is minor and a service call may not be necessary- use this troubleshooting guide for a possible solution. If the unit continues to operate improperly, call an authorized service depot or **Danby's Toll Free Number 1-800-263-2629** for assistance.

PROBLEM	POSSIBLE CAUSE	SUGGESTED SOLUTION
1) Unit does not work	<ul style="list-style-type: none"> <li>• No power to unit.</li> <li>• Power cord unplugged.</li> <li>• Wrong voltage being used.</li> </ul>	<ul style="list-style-type: none"> <li>• Check connection of power cord to power source.</li> <li>• Plug in unit.</li> <li>• Use proper voltage.</li> </ul>
2) Unit runs continuously	<ul style="list-style-type: none"> <li>• Temperature set too high.</li> <li>• Door is not closed.</li> <li>• Hot food has been inserted.</li> <li>• Door open too long/too often.</li> <li>• Close proximity to heat source or direct sunlight.</li> </ul>	<ul style="list-style-type: none"> <li>• Lower temperature control.</li> <li>• Close door securely.</li> <li>• Ensure food is room temperature before inserting.</li> <li>• Reduce frequency and duration of door openings.</li> <li>• Do not place unit close to heat sources or direct sunlight.</li> </ul>
3) Internal temperature not cold enough.	<ul style="list-style-type: none"> <li>• No power to unit.</li> <li>• Power cord unplugged.</li> <li>• Temperature control too low.</li> <li>• Door open too long/too often.</li> <li>• Hot food inserted.</li> <li>• Air flow obstruction.</li> <li>• Wrong voltage being used.</li> <li>• Close proximity to heat source or direct sunlight.</li> </ul>	<ul style="list-style-type: none"> <li>• Check connection of power cord.</li> <li>• Plug in unit.</li> <li>• Check settings, adjust if necessary.</li> <li>• Reduce frequency and duration of door openings.</li> <li>• Ensure food is room temperature before inserting.</li> <li>• Allow room for air to circulate around the unit.</li> <li>• Use proper voltage.</li> <li>• Do not place unit close to heat sources or direct sunlight.</li> </ul>

# **Danby® Designer** LIMITED IN-HOME APPLIANCE WARRANTY

This quality product is warranted to be free from manufacturer's defects in material and workmanship, provided that the unit is used under the normal operating conditions intended by the manufacturer.

This warranty is available only to the person to whom the unit was originally sold by Danby Products Limited (Canada) or Danby Products Inc. (U.S.A.) (hereafter "Danby") or by an authorized distributor of Danby, and is non-transferable.

## TERMS OF WARRANTY

Plastic parts, are warranted for thirty (30) days only from purchase date, with no extensions provided.

*First 18 Months* During the first eighteen (18) months, any functional parts of this product found to be defective, will be repaired or replaced, at warrantor's option, at no charge to the ORIGINAL purchaser.

*To obtain Service* Danby reserves the right to limit the boundaries of "In Home Service" to the proximity of an Authorized Service Depot. Any appliance requiring service outside the limited boundaries of "In Home Service", it will be the consumer's responsibility to transport the appliance (at their own expense) to the original retailer (point of purchase) or a service depot for repair. See "Boundaries of In Home Service" below. Contact your dealer from whom your unit was purchased, or contact your nearest authorized Danby service depot, where service must be performed by a qualified service technician.

If service is performed on the unit by anyone other than an authorized service depot, or the unit is used for commercial application, all obligations of Danby under this warranty shall be void.

*Boundaries of In Home Service* If the appliance is installed in a location that is 100 kilometers (62 miles) or more from the nearest service center your unit must be delivered to the nearest authorized Danby Service Depot, as service must only be performed by a technician qualified and certified for warranty service by Danby. Transportation charges to and from the service location are not protected by this warranty and are the responsibility of the purchaser.

Nothing within this warranty shall imply that Danby will be responsible or liable for any spoilage or damage to food or other contents of this appliance, whether due to any defect of the appliance, or its use, whether proper or improper.

## EXCLUSIONS

Save as herein provided, Danby, there are no other warranties, conditions, representations or guarantees, express or implied, made or intended by Danby or its authorized distributors and all other warranties, conditions, representations or guarantees, including any warranties, conditions, representations or guarantees under any Sale of Goods Act or like legislation or statute is hereby expressly excluded. Save as herein provided, Danby shall not be responsible for any damages to persons or property, including the unit itself, howsoever caused or any consequential damages arising from the malfunction of the unit and by the purchase of the unit, the purchaser does hereby agree to indemnify and hold harmless Danby from any claim for damages to persons or property caused by the unit.

## GENERAL PROVISIONS

No warranty or insurance herein contained or set out shall apply when damage or repair is caused by any of the following:

- 1) Power failure.
- 2) Damage in transit or when moving the appliance.
- 3) Improper power supply such as low voltage, defective house wiring or inadequate fuses.
- 4) Accident, alteration, abuse or misuse of the appliance such as inadequate air circulation in the room or abnormal operating conditions (extremely high or low room temperature).
- 5) Use for commercial or industrial purposes (ie. If the appliance is not installed in a domestic residence).
- 6) Fire, water damage, theft, war, riot, hostility, acts of God such as hurricanes, floods etc.
- 7) Service calls resulting in customer education.
- 8) Improper Installation (ie. Building-in of a free standing appliance or using an appliance outdoors that is not approved for outdoor application).

Proof of purchase date will be required for warranty claims; so, please retain bills of sale. In the event warranty service is required, present this document to our AUTHORIZED SERVICE DEPOT.

Danby Products Limited  
PO Box 1778, Guelph, Ontario, Canada N1H 6Z9  
Telephone: (519) 837-0920 FAX: (519) 837-0449

**1-800-263-2629**

Danby Products Inc.  
PO Box 669, Findlay, Ohio, U.S.A. 45840  
Telephone: (419) 425-8627 FAX: (419) 425-8629

# CONSIGNES DE SÉCURITÉ

## MISE À LA TERRE

Cet appareil doit être mis à la terre. En cas de court-circuit, la mise à la terre réduit les risques de décharge électrique en fournissant un échappatoire au courant électrique. L'appareil est muni d'un cordon électrique comprenant un fil de mise à la terre et une fiche de terre. Branchez la fiche dans une prise de courant correctement installée et mise à la terre.

**Avertissement** - Consultez un électricien ou un technicien qualifié si vous ne comprenez pas bien les instructions de mise à la terre ou si vous avez un doute quelconque sur la bonne mise à la terre de l'appareil.

**N'UTILISER JAMAIS DE FIL DE RALLONGE**  
S'il est possible, brancher le congélateur à son propre circuit. Ainsi, les autres appareils ou la surcharge des lampes du domicile ne peuvent pas surcharger et interrompre le courant électrique. Une connexion des serrées peut se doubler à un autre appareil dans la même

prise murale.

## PRÉCAUTION IMPORTANTE

Un vide est une attraction dangereuse aux enfants. Enlever les joints étanches, les loquets, les couvercles ou les portes des appareils qui ne sont pas utiliser, ou faites de soit que l'appareil ne présente aucun danger.

**DANGER:** Risque des enfants deviennent coincer dans l'appareil. Avant de jeter votre ancien réfrigérateur ou congélateur:

- Enlevez les portes.
- Laissez les étagères à ses places afin que des enfants ne puissent pas monter facilement dans l'appareil.

**N'ATTENDEZ PAS! FAITES-LE IMMEDIATEMENT!**

# CONSIGNES D'INSTALLATION

Enlevez les emballages extérieurs et intérieurs. Essuyez complètement l'extérieur avec un linge doux sec et l'intérieur avec un linge humide tiède. Il ne faut jamais situer l'appareil dans un recoin étroit, proche d'une source d'air chaud. L'air doit circuler à l'entour de l'appareil. Éloigner le réfrigérateur au moins 5 pouces du mur.

## Emplacement

- 1) Choisir une place qui a un plancher fort et à niveau.
- 2) Éloigner l'appareil de 5 pouces des murs arrière et de

côte.

- 3) Éviter les rayons de soleil et la chaleur directs qui peuvent affecter la surface en acrylique. Les sources de chaleur rapprochées augmentent la consommation d'énergie.
- 4) Éviter les endroits très humides. L'humidité élevée dans l'air occasionne la formation rapide de gèle sur l'évaporateur et le réfrigérateur. Le réfrigérateur devra être dégivré fréquemment.

# CARACTÉRISTIQUES

## 1) CADRAN DU THERMOSTAT

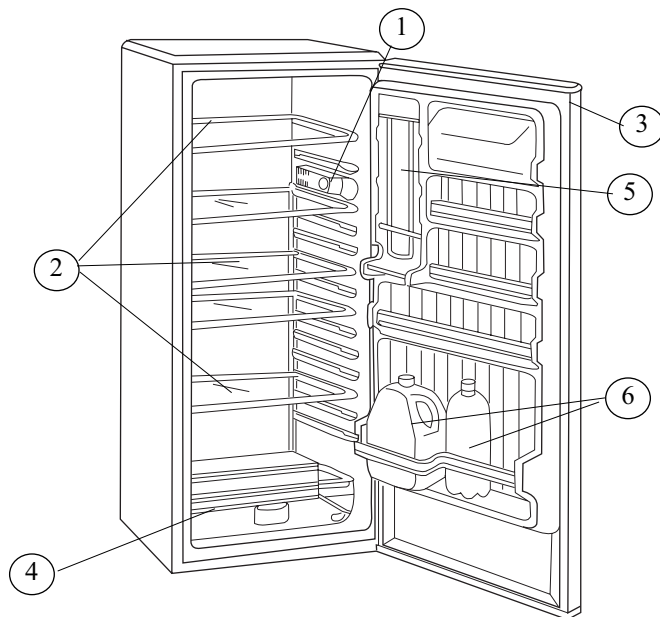
## 2) ÉTAGÈRES EN VERRE TREMPE

3) **JOINT ÉTANCHE MAGNETIQUE:** Les jointes étanches conservant toute la fraîcheur à l'intérieure. Pas de crochets ni de verrous.

## 4) BAC À LÉGUMES ET FRUITS AVEC ÉTAGÈRE EN VERRE TREMPE

5) **CHEMISE DE PORTE CANSTOR™:** Holds 355mL (12 oz) cans of pop, juice, or beer.

## 6) LOGEMENT POUR LES BOUTEILLES DE 2 LITRE ET D'UN GALLON



# CONSIGNES DE FONCTIONNEMENT

Pour éviter la vibration, l'appareil doit être absolument horizontal. Les deux premiers pieds de nivellement au-dessous de réfrigérateur peuvent être ajuster. Pour mettre le réfrigérateur en marche, tourner la commande de température jusqu'au refroidissement désiré.

**OFF = Pas de refroidissement**      **4 = Refroidissement moyen**  
**1 = Refroidissement minimum**      **MAX = Refroidissement maximum**

Le température de réfrigérateur variera dépendant de la quantité de nourriture et la fréquence avec laquelle la porte est ouverte.

## INSTRUCTIONS POUR LE DÉGIVRAGE:

Ce réfrigérateur contient un système de dégivrage. Le réfrigérateur contient une plaque de congélation située derrière sa paroi. Il est normal que la glace s'accumule sur cette paroi arrière lorsque le compresseur est en marche. Lorsque le compresseur s'arrête, la glace accumulée dans le drain pour se diriger vers la sortie située au bas de la carrosserie; l'eau passe dans une cuvette de dégivrage située au-dessus du compresseur. La chaleur dégagée par le compresseur fait évaporer l'eau dans la cuvette.

## INSTRUCTIONS DE PORTE RÉVERSIBLE:

**ATTENTION: Pour éviter de se blesser ou endommager l'appareil, on vous recommande d'avoir quelqu'un vous aide pendant ce processus.**

- 1) Pour accéder le montage de la charnière inférieure, incliner le réfrigérateur ou mettre l'appareil sur son derrière (Fig. A).
- 2) Enlever les deux pieds de nivellement sur le devant de réfrigérateur.
- 3) Enlever les vis qui joignent le montage de la charnière inférieure au réfrigérateur.
- 4) Enlevez l'assemblage de la porte principale du réfrigérateur (soulevez légèrement la porte et tirez vers le bas).
- 5) Enlever (dévissier) le goujon de charnière du dessus de porte principale (Fig. B).
- 6) Réinstaller le goujon de charnière du dessus de porte principale sur le côté opposé de réfrigérateur.
- 7a) Enlever le couvercle de goujon et le coussinet de porte qui sont en dessus de montage de la porte principale.
- 7b) Changer de place (mettre le couvercle de goujon à côté droit et le coussinet de porte à côté gauche).
- 8) Réinstaller le montage de la porte principale sur le réfrigérateur.
- 9) Enlever le coussinet de porte (porte du dessous) et installer sur le côté opposé.
- 10) Réinstaller le montage de la charnière inférieure sur le côté opposé.
- 11) S'assurer que le montage de la porte est bien aligner sur le réfrigérateur avant de resserrer les vis de charnière inférieure.
- 12) Réinstaller les deux pieds de nivellement.

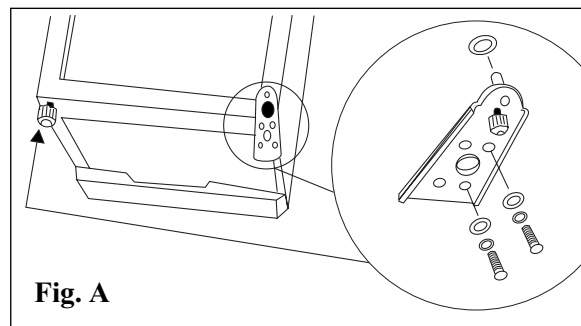


Fig. A

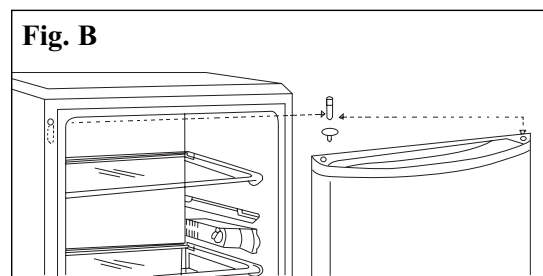


Fig. B

Le processus est complet.

# SOINS ET ENTRETIEN

## Entretien

Pour nettoyer l'intérieur, utilisez un chiffon doux et une solution composée d'une pinte d'eau et d'une cuillerée à soupe de poudre à pâte. Comme autre solution de nettoyage, utilisez une solution comportant un savon ou un détergent doux. Lavez les tablettes en verre à l'aide d'une solution comportant un détergent doux; séchez les tablettes et essuyez-les à l'aide d'un chiffon doux. Nettoyez l'extérieur à l'aide d'un chiffon humide doux et d'un peu de détergent doux ou d'un produit de nettoyage des appareils électroménagers.

## Pendant les vacances

Si vous prenez une vacance de courte durée, laissez le bouton de commande à son réglage normal. Si l'absence doit durer longtemps;

- (a) enlever tous les aliments.
- (b) débranchez l'appareil de la prise murale.
- (c) Nettoyez le réfrigérateur complètement, en incluant le plateau d'égouttage (bac de décongélation) situé dans le bas de l'appareil.
- (d) laisser la porte ouverte pour éviter les mauvaises odeurs.

## Panne d'électricité

La plupart des pannes d'électricité sont corrigées dans un délai d'une heure et n'ont pas d'effets sur la température du réfrigérateur. Il est nécessaire de

réduire le nombre d'ouverture de la porte pendant une panne. Pendant les pannes qui durent plus qu'une heure, protéger vos aliments en déposant un bloc de glace sèche par-dessus les emballages. Si la glace n'est pas disponible, essayer d'utiliser temporairement de l'espace de votre entrepôt à froid régional.

## Déménagement

Enlever ou immobiliser toutes les pièces amovibles (*c'-à-d; les clayettes*) à l'intérieur du réfrigérateur. Serrer les vis à nivellement à la base afin de ne pas les endommager.

## Importantes consignes de sécurité pour l'utilisation du réfrigérateur

- Ne jamais ranger d'aliments chauds dans le réfrigérateur.
- Ne jamais surchargé l'appareil.
- Ouvrir la porte seulement si nécessaire.
- Pour un rangement prolongé de l'appareil, il est suggéré de laver l'appareil, de laisser la porte ouverte afin de fournir une circulation d'air à l'intérieur du meuble et d'éviter le développement de condensation, de moisissures et d'odeurs.

# DÉPANNAGE

Utilisez ce guide de dépannage pour trouver une solution possible. Si l'unité continue de fonctionner incorrectement, appelez le numérosans frais de Danby **1-800-263-2629** pour obtenir de l'assistance.

PROBLEME	CAUSE PROBABLE	SOLUTION
1) Ne fonctionne pas	<ul style="list-style-type: none"><li>• Pas de tension à l'unité.</li><li>• Le cordon d'alimentation est débranché.</li><li>• Le mauvais voltage est utilisé.</li></ul>	<ul style="list-style-type: none"><li>• Vérifiez la connexion du cordon d'alimentation.</li><li>• Branchez l'appareil.</li><li>• Utilisez le voltage approprié.</li></ul>
2) Le congélateur fonctionne sans arrêt	<ul style="list-style-type: none"><li>• La température est trop élevée.</li><li>• La porte n'est pas fermée.</li><li>• De la nourriture chaude a été insérée.</li><li>• La porte est ouverte trop longtemps.</li><li>• Proximité d'une source de chaleur ou exposition directe du rayons de soleil.</li></ul>	<ul style="list-style-type: none"><li>• Baissez le contrôle de température.</li><li>• Fermez la porte fermement.</li><li>• Assurez-vous que la nourriture est à la température de la pièce avant de la placer dans le réfrigérateur.</li><li>• Ne placez pas l'appareil près d'une source de chaleur ou directement sous les rayons du soleil.</li></ul>
3) La température interne n'est pas assez froide.	<ul style="list-style-type: none"><li>• Pas de tension à l'unité.</li><li>• Le cordon d'alimentation est débranché.</li><li>• Le contrôle de la température est trop bas.</li><li>• La porte est ouverte trop longtemps.</li><li>• Le nourriture est chaud.</li><li>• Obstruction de la circulation de l'air.</li><li>• Le mauvais voltage est utilisé.</li><li>• Proximité d'une source de chaleur ou exposition directe du rayons de soleil.</li></ul>	<ul style="list-style-type: none"><li>• Vérifiez la connexion.</li><li>• Branchez l'appareil.</li><li>• Vérifiez le réglage et augmentez-la au besoin.</li><li>• Fermez la porte fermement.</li><li>• Assurez-vous que la nourriture est à la température de la pièce.</li><li>• Laissez l'air circuler dans la pièce autour de l'appareil.</li><li>• Utilisez le voltage approprié.</li><li>• Ne placez pas l'appareil près d'une source de chaleur/du soleil.</li></ul>



## GARANTIE LIMITÉE SUR APPAREIL ÉLECTROMÉNAGER À DOMICILE

Cet appareil de qualité est garanti exempt de tout vice de matière première et de fabrication, s'il est utilisé dans les conditions normales recommandées par le fabricant.

Cette garantie n'est offerte qu'à l'acheteur initial de l'appareil vendu par Danby Products Limited (Canada) ou Danby Products Inc. (E.- U. d'A) (ci-après "Danby") ou par l'un des ses distributeurs agréés et elle ne peut être transférée.

### CONDITIONS

Les pièces en plastique sont garanties pour trente (30) jours seulement à partir de la date de l'achat, sans aucune prolongation prévue.

*Première 18 mois* Pendant les dix huit (18) mois, toutes pièces fonctionnelles de ce produit s'avèrent défectueuses, seront réparées ou remplacées, selon le choix du garant, sans frais à l'acheteur INITIAL.

*Pour bénéficier du Service* Le client sera responsable pour le transport et tous les frais d'expédition de tout appareil exigeant le service au dépôt de service autorisé le plus proche. S'adresser au détaillant qui a vendu l'appareil, ou à la station technique agréée de service la plus proche, où les réparations doivent être effectuées par un technicien qualifié. Si les réparations sont effectuées par quiconque autre que la station de service agréée où à des fins commerciales, toutes les obligations de Danby en vertu de cette garantie seront annulées.

*Limites de l'entretien à domicile* Si l'appareil est installé à plus de 100 kilomètres (62 milles) du centre de service le plus proche, il doit être livré à l'atelier de réparation autorisé par Danby le plus proche, car l'entretien doit uniquement être réalisé par un technicien qualifié et certifié pour effectuer un entretien couvert par la garantie de Danby. Les frais de transport entre votre domicile et le lieu de l'entretien ne sont pas couverts par la présente garantie et doivent être acquittés par l'acheteur.

Cette garantie indique en aucun temps la responsabilité de Danby de l'avarie ou dommage de la vin ou autre contenu, soit par les vices de l'appareil, ou soit par l'utilisation convenable ou inexacte.

### EXCLUSIONS

En vertu de la présente, il n'existe aucune autre garantie, condition ou représentation, qu'elle soit exprimée ou tacite, de façon manifeste ou intentionnelle, par Danby ou ses distributeurs agréés. De même, sont exclues toutes les autres garanties, conditions ou représentations, y compris les garanties, conditions ou représentations en vertu de toute loi régissant la vente de produits ou de toute autre législation ou règlement semblables.

En vertu de la présente, Danby ne peut être tenue responsable en cas de blessures corporelles ou des dégâts matériels, y compris à l'appareil, quelle qu'en soit les causes. Danby ne peut pas être tenue responsable des dommages indirects dus au fonctionnement défectueux de l'appareil. En achetant l'appareil, l'acheteur accepte de mettre à couvert et de dégager Danby de toute responsabilité en cas de réclamation pour toute blessure corporelle ou tout dégât matériel causé par cet appareil.

### CONDITIONS GÉNÉRALES

La garantie ou assurance ci-dessus ne s'applique pas si les dégâts ou réparations sont dus aux cas suivants:

- 1) Panne de courant.
- 2) Dommages subis pendant le transport ou le déplacement de l'appareil.
- 3) Alimentation électrique incorrecte (tension faible, câblage défectueux, fusibles incorrects).
- 4) Accident, modification, emploi abusif ou incorrect de l'appareil tel qu'une circulation d'air inadéquate dans la pièce ou des conditions de fonctionnement anormales (température extrêmement élevée ou basse).
- 5) Utilisation dans un but commercial ou industriel (à savoir, si l'appareil n'est pas installé dans un domicile résidentiel).
- 6) Incendie, dommages causés par l'eau, vol, guerre, émeute, hostilités, cas de force majeure (ouragan, inondation, etc.).
- 7) Visites d'un technicien pour expliquer le fonctionnement de l'appareil au propriétaire.
- 8) Installation inappropriée (par exemple, encastrement d'un appareil autoportant, ou utilisation extérieure d'un appareil non conçu à cet effet).

Une preuve d'achat doit être présentée pour toute demande de réparation sous garantie. Prière de garder le reçu. Pour faire honorer la garantie, présenter ce document à la station technique agréée ou s'adresser à:

# INSTRUCCIONES DE SEGURIDAD

## INSTRUCCIONES PARA LA CONEXIÓN A TIERRA

Este artefacto debe ser conectado a tierra. En caso de un corto circuito eléctrico, la conexión a tierra reduce el riesgo de una descarga eléctrica proporcionando un cable de retorno para la corriente eléctrica.

Este artefacto viene con un cable de alimentación que tiene un conductor y pata del enchufe de tierra. Este cable debe enchufarse en un tomacorriente debidamente instalado y con conexión a tierra.

**ADVERTENCIA** - El uso inadecuado del enchufe de conexión a tierra puede resultar en un riesgo de choque eléctrico. Consulte con un electricista o persona de reparaciones competente si no comprende bien las instrucciones de conexión a tierra o si existe alguna duda sobre si el aparato está conectado a tierra correctamente.

**NO USE UN CORDÓN DE PROLONGACIÓN ELÉCTRICA.** Use un tomacorriente de pared exclusivo. No conecte su refrigerador a cordones de prolongación eléctrica o junto a cualquier otro

electrodoméstico en el mismo tomacorriente de pared. No empalme cordón.

**ADVERTENCIA IMPORTANTE:** Un refrigerador vacío es una atracción muy peligrosa para los niños. Saque todas las juntas, pestillos, tapas o la puerta de todo electrodoméstico que no esté en uso, o tome alguna medida para asegurar que no presente peligro.

**¡PELIGRO!** Peligro de atrapa los niños en la unidad. Antes de desechar su antiguo refrigerador o congelador:

- Quite las puertas
  - Deje las tablas en sus lugares exactos a fin de que los niños no pusieran subir fácilmente a la unidad.
- ¡NO ESPERE, HAGALO AHORA MISMO!**

# INSTRUCCIONES DE INSTALACIÓN

Saque los embalajes exteriores e interiores, limpie el exterior bien con un paño suave seco y el interior con un paño húmedo y tibio. Evite colocar la caja en un hueco estrecho o cerca de una fuente de calor, luz de sol directa, o lugar húmedo. Deje que el aire circule libremente alrededor de la caja. Mantenga la parte posterior del refrigerador a 5 pulgadas de la pared.

## Ubicación

- 1) Seleccione un lugar con un piso firme y nivelado.
- 2) Permita cinco pulgadas de espacio entre la parte

posterior del refrigerador y toda pared contigua.

- 3) Evite luz directa del sol o calor. La luz directa del sol puede afectar la capa de acrílico. Las fuentes de calor en su proximidad causarán un consumo mayor de electricidad.
- 4) Evite lugares muy húmedos. Demasiada humedad en el aire hará que se acumule escarcha rápidamente en el evaporador y deberá descongelar su refrigerador con mucha frecuencia.

# CARACTERÍSTICAS

## 1) DIAL TERMISTÁTICO

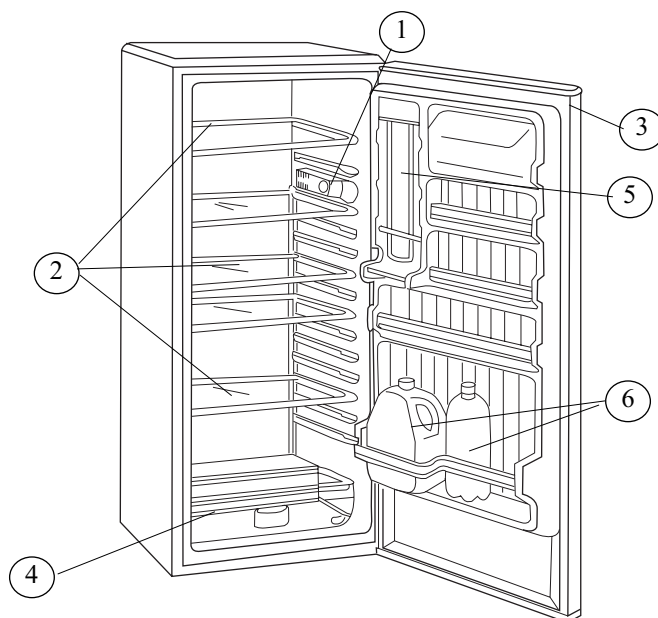
## 2) ESTANTES TEMPLADOS DE VIDRIO

3) **JUNTA MAGNÉTICA:** El sello hermético de la puerta evita que escape el frío. Sin trabas ni cerrojos.

## 4) CAJÓN DE FRUITAS Y VERDURAS CON ESTANTES TEMPLADOS DE VIDRIO

5) **ESTANTE CANSTOR™ DE LA PUERTA:** Para conservar de 355mL (12 oz) de gaseosa, jugo o cerveza.

## 6) ALMACEN PARA BOTELLAS DE 2 LITROS Y GALÓN



# INSTRUCCIONES OPERADORAS

Para evitar vibraciones, la caja debe estar nivelada. Esto se logra ajustando las (2) patas delanteras de nivelación ubicadas debajo de la caja del refrigerador. Para poner en marcha el congelador, coloque el control de temperatura en la posición correspondiente al enfriamiento deseado.

**OFF = sin enfriamiento      4 = Enfriamiento mediano**  
**1 = Enfriamiento mínimo      MAX = Enfriamiento máximo**

La temperatura del refrigerador variará dependiendo de la cantidad de alimentos que se hayan guardado en el mismo y en la frecuencia con que se abra la puerta.

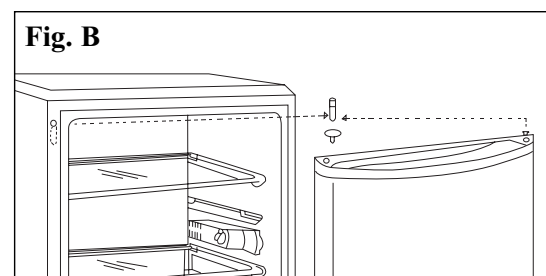
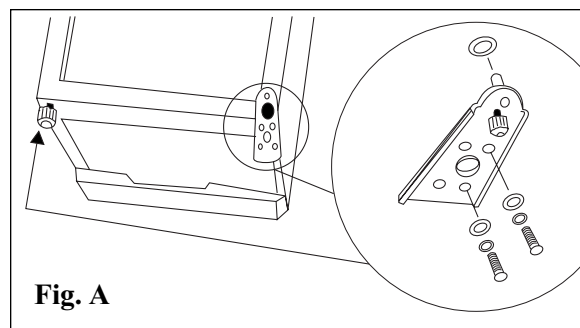
## INSTRUCCIONES PARA DESCONGELAR:

Este refrigerador tiene incorporado un sistema ciclico de descongelamiento y posee una bandeja fria ubicada debajo de la cara trasera del gabinete. Es normal que se acumule hielo en dicha cara durante el funcionamiento del compresor. Una vez finalizado el ciclo del compresor, el hielo formado se descongelará de manera automática. El agua descongelada se acumulará en el conducto de drenaje, atravesará la rejilla ubicada en el fondo de la cabina y caerá a la bandeja ubicada sobre el compresor. Enfónces el calor del compresor evaporará el agua acumulada.

## INSTRUCCIONES PARA CAMBIAR SENTIDO EN QUE SE ABRE LA PUERTA

**ADVERTENCIA:** Para evitarse lesiones personales y daños a la propiedad, recomendamos que otra persona lo ayude durante el proceso de cambiar de sentido en que se abre la puerta.

- 1) Para lograr acceso a la unidad de bisagra inferior, incline el refrigerador hacia atrás, o tiéndalo sobre el dorso (*Fig. A*).
- 2) Saque los dos pies graduables ubicados en la parte delantera del refrigerador.
- 3) Saque los tornillos que fija la unidad de la bisagra inferior al refrigerador.
- 4) Saque el conjunto de la puerta principal del gabinete del refrigerador (*levante levemente la puerta y jale hacia abajo*).
- 5) Saque (*destornille*) el eje de la bisagra superior de la puerta (*Fig. B*).
- 6) Vuelva a instalar el eje de la bisagra superior en el lado opuesto del refrigerador.
- 7a) Saque el tapón de bisagra y el manguito de la puerta, ubicados en la parte superior de esta.
- 7b) Intercambie las posiciones (*es decir, el tapón del lado dercho de la puerta, el manguito dellado izquierdo de la puerta*).
- 8) Vuelva a instalar la unidad de la puerta en el refrigerador.
- 9) Saque el manguito de la puerta (*parte inferior de la puerta*), e instálelo en el lado opuesto.
- 10) Vuelva a instalar la unidad de bisagra inferior en el lado opuesto.
- 11) Antes de apretar los tornillos de la bisagra inferior, verifique que la unidad de la puerta esté debidamente alineada con el refrigerador.
- 12) Vuelva a instalar los pies graduables.



Ahora, el proceso ha terminado.

## CUIDADO Y MANTENIMIENTO

### Limpieza

Para limpiar el interior, utilice un trapo suave y una mezcla de una cucharada de bicarbonato de sosa disuelta en un cuarto de agua. Otras soluciones de limpieza que pueden utilizarse son espuma de jabón suave o detergente suave. Lave los estantes de vidrio con una solución de detergente suave, luego séquelos y páseles un trapo suave. Limpie el exterior con un trapo suave húmedo y detergente suave o limpiador.

### Período de vacaciones

Para los periodos cortos de vacaciones, deje el control en su configuración normal. Durante los largos periodos de ausencia;

- (a) saque todos los alimentos.
- (b) desconecte el cable del tomacorriente.
- (c) Limpie bien el refrigerador, incluyendo la bandeja colectora (bandeja de descongelado) ubicada en el piso de la unidad.
- (d) deje la puerta abierta para evitar la formación de olores.

### Corte de corriente

La mayoría de los cortes de corriente se corrigen en una o dos horas y no afectarán las temperaturas de su

refrigerador. Sin embargo, Ud. deberá reducir la cantidad de veces que abre la puerta cuando la corriente esté apagada. Durante los cortes de corriente de larga duración, tome medidas para proteger sus alimentos colocando un bloque de hielo seco sobre los paquetes.

### Si ud. se muda

Saque o asegure todos los artículos dentro (ej. parrillas) del refrigerador. Para evitar que los tornillos de nivel se averíen, gírelos completamente hacia la base.

### Algunas reglas importantes para el uso correcto del congelador

- Nunca coloque alimentos calientes en el refrigerador.
- No sobrecargue el gabinete.
- No abra la puerta a menos que sea necesario.
- Si el refrigerador se guarda sin uso por períodos largos de tiempo, se sugiere que, luego de una limpieza cuidadosa, se deje la puerta entreabierta para permitir que el aire circule dentro de el gabinete y evitar una posible formación de condensación, moho u olores.

## DIAGNÓSTICOS DE PROBLEMAS

A menudo, los problemas son sencillos y no es necesario hacer una llamada de reparación, use esta guía de resolución de problemas para encontrar una posible solución. Si la unidad sigue funcionando mal, llame a los **números gratuitos de un centro Danby 1-800-263-2629** de servicio autorizado.

PROBLEMA	POSIBLE CAUSA	SOLUCIÓN SUGERIDA
1) No funciona	<ul style="list-style-type: none"> <li>• No llega alimentación a la unidad.</li> <li>• Cable de alimentación desenchufado.</li> <li>• Voltaje incorrecto.</li> </ul>	<ul style="list-style-type: none"> <li>• Revise la conexión del cable de alimentación al enchufe.</li> <li>• Enchufe la unidad.</li> <li>• Use el voltaje correcto.</li> </ul>
2) El refrigerador funciona constantemente	<ul style="list-style-type: none"> <li>• Temperatura demasiado alta.</li> <li>• La puerta no está cerrada.</li> <li>• Se colocó comida caliente.</li> <li>• Se abrió la puerta demasiadas veces o durante mucho tiempo.</li> <li>• Muy cerca de una fuente de calor o bajo la luz directa del sol.</li> </ul>	<ul style="list-style-type: none"> <li>• Baje el control de temperatura.</li> <li>• Cierre bien la puerta.</li> <li>• Verifique que los alimentos estén a temperatura ambiente antes de guardarlos.</li> <li>• No deje la puerta abierta durante mucho tiempo. Abra menos veces la puerta.</li> <li>• No coloque la unidad cerca de fuentes de calor o bajo la luz directa del sol.</li> </ul>
3) La temperatura interna no es muy fría.	<ul style="list-style-type: none"> <li>• No llega alimentación a la unidad.</li> <li>• Cable de alimentación desenchufado.</li> <li>• Control de temperatura muy bajo.</li> <li>• La puerta no está cerrada.</li> <li>• Alimentos calientes.</li> <li>• Se abrió la puerta demasiadas veces o durante mucho tiempo.</li> <li>• Obstrucción del flujo de aire.</li> <li>• Voltaje incorrecto.</li> <li>• Muy cerca de una fuente de calor o bajo la luz directa del sol.</li> </ul>	<ul style="list-style-type: none"> <li>• Revise la conexión del cable de alimentación al enchufe.</li> <li>• Enchufe la unidad.</li> <li>• Verifique el ajuste y aláméntelo como sea necesario.</li> <li>• No deje la puerta abierta durante mucho tiempo. Abra menos veces la puerta.</li> <li>• Verifique que los alimentos estén a temperatura ambiente.</li> <li>• Use el voltaje correcto.</li> <li>• No coloque la unidad cerca de fuentes de calor o bajo la luz directa del sol.</li> </ul>

Este producto de calidad está garantizado contra defectos de fabricación, incluyendo partes y mano de obra, siempre y cuando la unidad se utilice bajo las condiciones normales de funcionamiento para las que fue diseñado.

Esta garantía está solamente disponible para la persona que haya comprado originalmente esta unidad directamente de Danby Products Limited (Canada) o Danby Products Inc. (U.S.A.) (en adelante "Danby") o uno de sus distribuidores autorizados, y no es transferible.

#### CONDICIONES DE LA GARANTÍA

Las piezas plásticas, se autorizan por treinta (30) días solamente a partir de la fecha de la compra, sin las extensiones proporcionadas.

*Primeros 18 Meses* Durante los primer 18 meses, cualquier parte en buen estado de este producto que resulte defectuosa, incluyendo cualquier sistema sellado, será reparado o reemplazado, a opción del fabricante, sin cargo para el comprador ORIGINAL.

*Para obtener Servicio* Danby se reserva el derecho de limitar la cobertura de "Servicio en Domicilio" sujeto a la proximidad de un Taller de Servicio Autorizado. Para todo artefacto que requiera servicio fuera del área limitada de "Servicio en Domicilio", el cliente será responsable por transportar dicho artefacto hasta el Taller de Servicio Autorizado mas cercano. Consulte "Límites del servicio técnico a domicilio", a continuación. Comuníquese con el distribuidor donde haya comprado la unidad, o llame al Taller de Servicio Autorizado más cercano, donde debe ser reparada por un técnico calificado. Si esta unidad es reparada en otro lugar que no sea un Taller de Servicio Autorizado, o si la unidad se utiliza para aplicaciones comerciales, Danby no se hará responsable de ninguna forma y la garantía será anulada.

*Límites del servicio técnico a domicilio* Si el electrodoméstico está instalado en un lugar que se encuentra a 100 kilómetros (62 millas) o más del centro de servicios más cercano, se debe llevar la unidad al Centro de servicios Danby autorizado más cercano, ya que dicho servicio sólo puede realizarlo un técnico calificado y certificado por Danby para prestar servicios de garantía. Los cargos por transporte desde y hacia el lugar en que se efectúe el servicio técnico no están cubiertos por esta garantía y son de responsabilidad del comprador.

Nada dentro de esta garantía implica que Danby será responsable por cualquier daño que hayan sufrido los alimentos u otros contenidos de este aparato, ya sea debido a un defecto del aparato, o su uso, adecuado o inadecuado.

#### EXCLUSIONES

Salvo lo aquí indicado por Danby, no existen otras garantías, condiciones o representaciones, explícitas o implícitas, concretas o intencionales por parte de Danby o sus distribuidores autorizados y todas las demás garantías, condiciones o representaciones, incluyendo cualquier garantía, condiciones o representaciones bajo cualquier Acta de Venta de Productos o legislación o estatuto similar, quedan de esta forma expresamente excluidas. Salvo lo aquí indicado, Danby no serán responsables por ningún daño a personas o bienes, incluyendo la propia unidad, sin importar su causa, o de ningún daño indirecto causado por el desperfecto de la unidad, y al comprar esta unidad, el comprador acepta por la presente, indemnizar y proteger a Danby contra cualquier reclamo por daños a personas o bienes causados por la unidad.

#### CONDICIONES GENERALES

No se considerará ninguna de estas garantías o seguros cuando el daño o la necesidad de reparación sea el producto de los siguientes casos:

- 1) Falla del suministro eléctrico.
- 2) Daños en tránsito o durante el transporte de la unidad.
- 3) Alimentación incorrecta, como bajo voltaje, instalación eléctrica defectuosa o fusibles inadecuados.
- 4) Accidente, modificación, abuso o uso incorrecto del artefacto, tal como insuficiente ventilación del ambiente o condiciones de operación anormales (temperatura ambiente extremadamente alta o baja).
- 5) Utilización comercial o industrial (v.g., si el electrodoméstico no está instalado en una vivienda particular).
- 6) Incendio, daños por agua, robo, guerra, disturbios, hostilidades, actos de fuerza mayor como huracanes, inundaciones, etc.
- 7) Pedidos de servicio debido a desinformación del usuario.
- 8) Instalación inadecuada (v.g., instalación empotrada de un electrodoméstico diseñado como unidad independiente o uso de un electrodoméstico al aire libre que no esté aprobado para dicho fin).

Para acceder a la garantía se solicitará un comprobante de compra; por lo tanto, guarde su recibo. En caso de necesitar servicio de garantía, presente ese documento al TALLER DE SERVICIO AUTORIZADO.

# Danby® *Designer*

**Model • Modèle • Modelo**  
**DAR1102WE, DAR1102BSL**

For service, contact your nearest service depot or call:  
**1-800-26-Danby®**  
**(1-800-263-2629)**  
to recommend a depot in your area.

Pour obtenir le service, consultez votre succursale régionale de service ou téléphonez:  
**1-800-26-Danby®**  
**(1-800-263-2629)**  
qui vous recommandera un centre régional.

Para servicio, comuníquese con su Departamento de Servicios más cercano o llame al:  
**1-800-26-Danby®**  
**(1-800-263-2629)**  
para que le recomienden un Departamento de Servicios en su zona.

## **ALL REFRIGERATOR**

The model number of your refrigerator is found on the serial plate located on the back, top left-hand corner of the refrigerator.

All repair parts are available for purchase or special order when you visit your nearest service depot. To request service and/or the location of the service depot nearest you, call the toll free number listed to the left in Canada and the U.S.

When requesting service or ordering parts, always provide the following information:

- **Product Type**
- **Model Number**

## **TOUT RÉFRIGÉRATEUR**

Le numéro de modèle de votre réfrigérateur se trouve sur la plaque d'identification qui se trouve sur le coin du haut gauche de l'arrière du réfrigérateur.

Toutes les pièces de rechange sont disponibles immédiatement ou peuvent être commandées de votre Centre de Service régional. Pour obtenir le service et/ou le Centre de Service le plus proche, téléphonez le numéro sans-frais indiqué à gauche pour le Canada et les États-Unis.

Ayez les informations suivantes à la portée de la main lors de la commande de pièces ou service:

- **Genre de produit**
- **Numéro de modèle**

## **TODA REFRIGERADORA**

El número del modelo de su refrigerador se encuentra en la placa de serie ubicada en el ángulo posterior superior izquierdo del refrigerador.

Todas las piezas de repuesto se encuentran disponibles la para compra o por pedido especial cuando Ud. visite su departamento de servicio más cercano. Para solicitar servicio y/o la ubicación del departamento de servicio más cercano, llame al número de marcando gratis que aparece a la izquierda en el Canadá y en los E.U.

Cuando solicite servicio o encargue repuestos, siempre proporcione la siguiente información:

- **Tipo de producto**
- **Número de modelo**